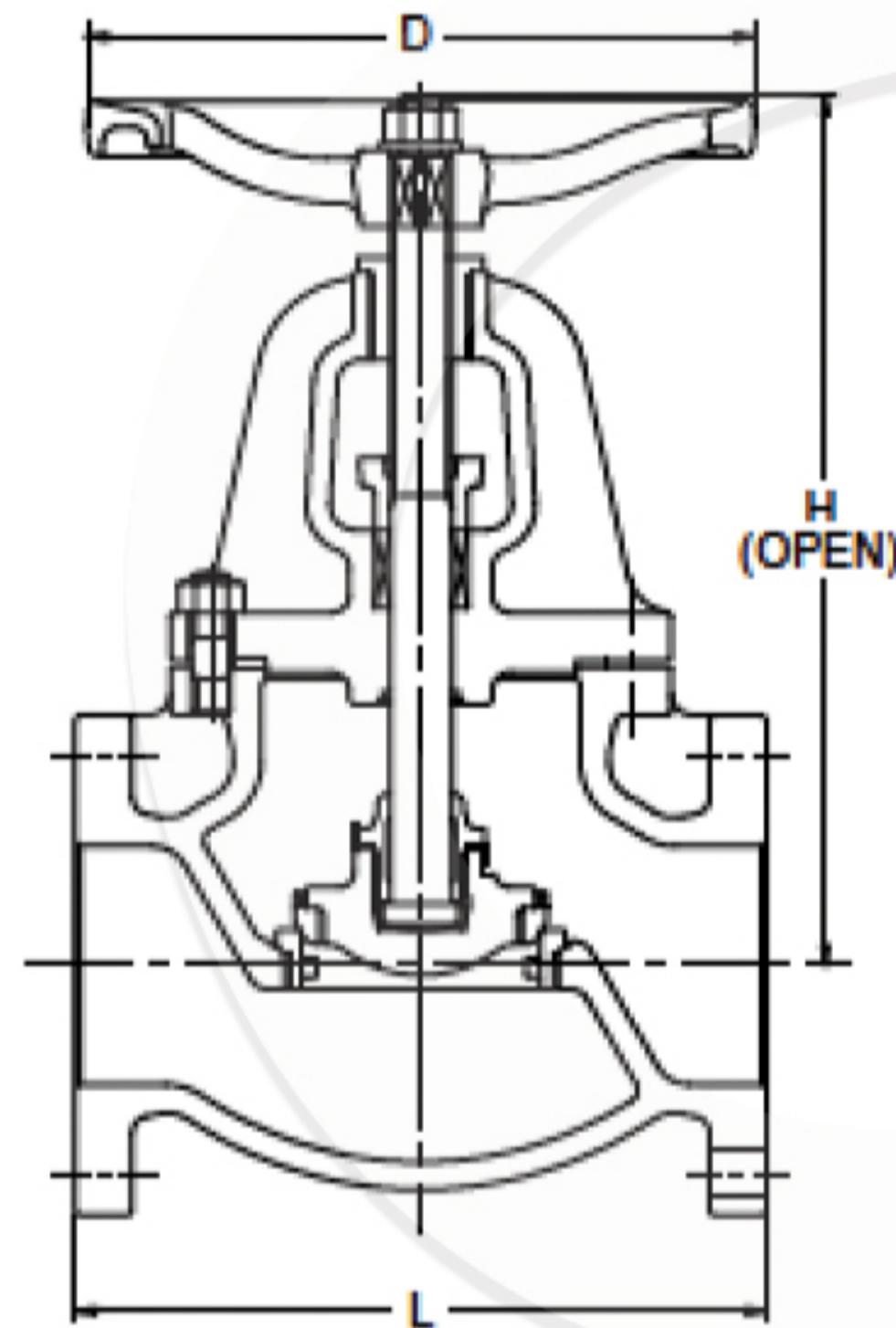


CLASS 125 IRON GLOBE VALVE

Bolted bonnet, outside screw & yoke, rising stem.

Fig. 125FCJ

• Bronze trim



Materials

Parts	Material	ASTM Spec.	
		125FCJ	125FCJS
Body	Cast Iron	A126 CL. B	
Bonnet	Cast Iron	A126 CL. B	
Stem	Brass/Stainless Steel	B124 C37700	A276 type403
Disc	2 only 2 1/2 & larger	Brass/Stainless Steel	B62 A276 type403
		Cast Iron	A126 CL. B
Disc seat ring	Brass/Stainless Steel	B62	A276 type403
Body seat ring	Bronze	B62	A276 type403
Gland		Ductile Iron	
Gland packing		Asbestos-free	
Gasket		Asbestos-free	
Gland bolt/nut		Carbon Steel	
Bonnet bolt/nut		Carbon Steel	
Yoke bushing	Bronze	B62	
Hand wheel	2 to 6	Cast Iron	
	8 only	Ductile Iron	

For ASME Valves Pressure-Temperature Ratings, refer to page 2.

Dimensions

Valve Size	NPS	2	2 1/2	3	4	5	6	8	mm
	DN	50	65	80	100	125	150	200	
L Face-to-face		203	216	241	292	330	356	495	
H Height (OPEN)		277	307	353	404	454	533	642	
D Handwheel Diameter		180	180	225	280	300	350	450	